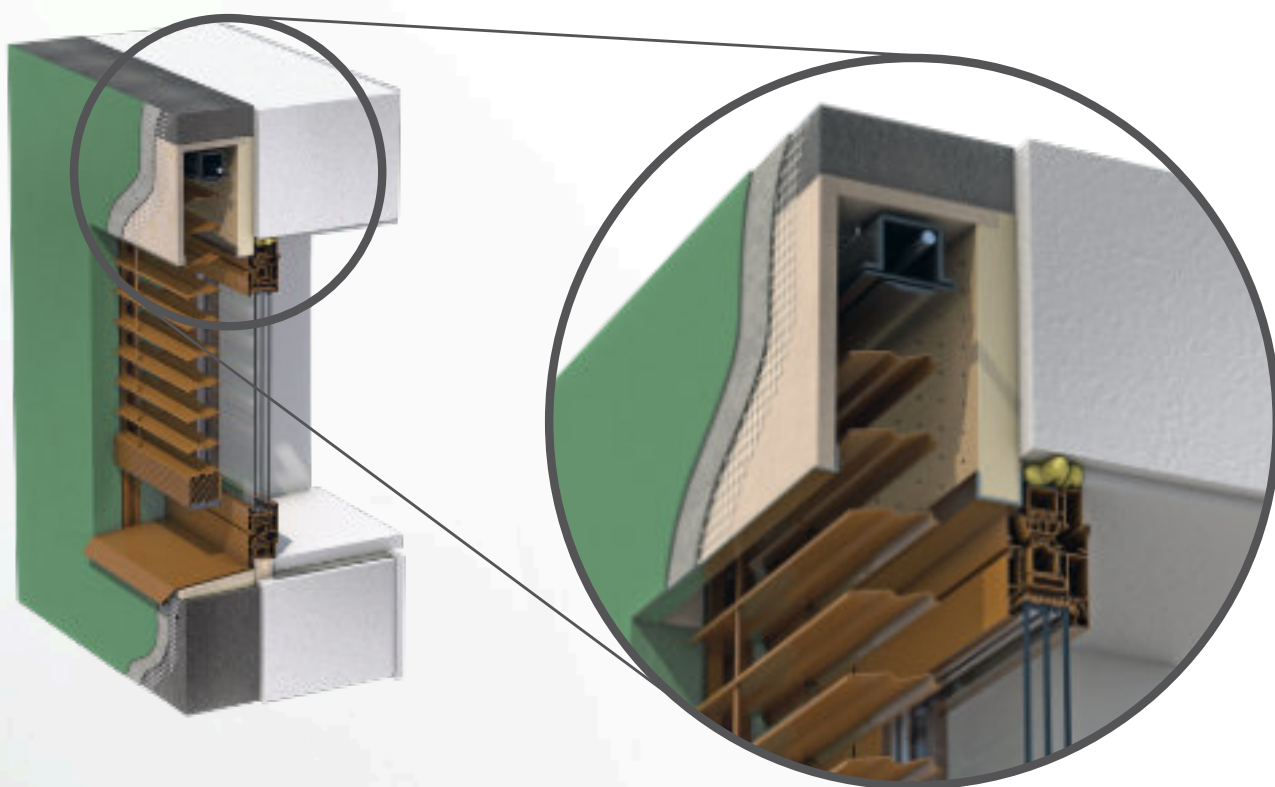




UNDER-PLASTER PURENIT BOX



The thermal-insulation box for exterior blinds is a high-quality, sophisticated building element with a number of useful effects. They primarily result from the properties of Purenit, a material the boxes are made of.

... protecting your privacy.

DESIGN OF PURENITE BOXES

The insulation boxes are characterised by high resistance to many influences and they are robust and light. Purenit is distinguished by minimum thermal expansion and its fire resistance is B2 according to DIN 4102-1.

MAIN ADVANTAGES OF PURENIT BOXES

HIGH THERMAL INSULATION

Purenit has a very low thermal conductivity, which significantly reduces thermal bridges in the area of the window lintel or installation area.

RESISTANCE TO MOISTURE AND PUTREFACTION

The material is stable even in a humid environment - non-absorbent, not attacked by mould, which extends its lifetime.

HIGH STRENGTH AND STABILITY

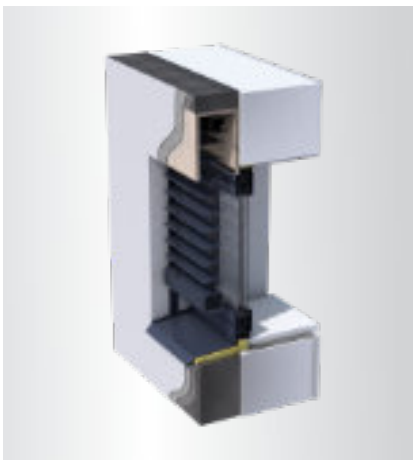
Purenit boxes are strong enough to attach blind and roller shutter systems and other components, while maintaining dimensional stability.

EASY TO WORK WITH

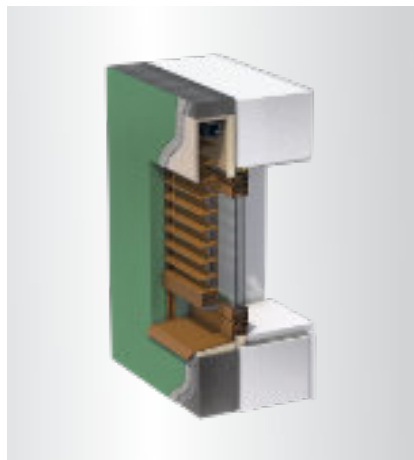
The material can be easily cut, milled or drilled, which facilitates installation on site and adjustments as needed.

FLAME RESISTANCE (B2 - ACCORDING TO DIN 4102)

Purenit is classified as a self-extinguishing material, which increases fire safety of the structure.



ISOTRA PB

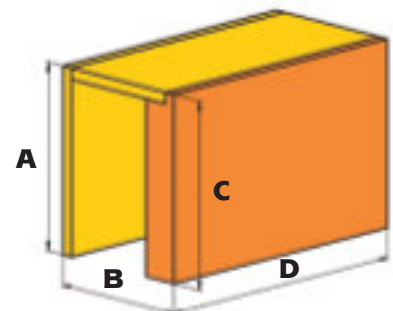


ISOTRA PB-IS



ISOTRA PB-L

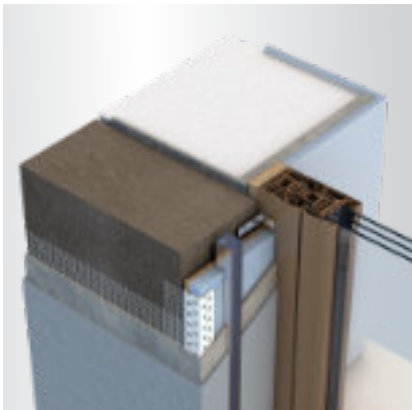
STANDARD DIMENSIONS								
Box type	Box length D (mm)		Dimension A (mm)		Dimension B (mm)		Dimension C (mm)	
	Min.	Max.	Min.	Max.	Min.	Max.	Min.	Max.
PB	450	6 000	150	600	140	300	150	600
PB-IS 20	450	6 000	150	600	145	300	150	600
PB-IS 30	450	6 000	150	600	155	300	150	600
PB-IS 40	450	6 000	150	600	165	300	150	600
PB-IS 50	450	6 000	150	600	175	300	150	600
PB-IS 60	450	6 000	150	600	185	300	150	600
PB-L	450	6 000	150	600	125	300	-	-



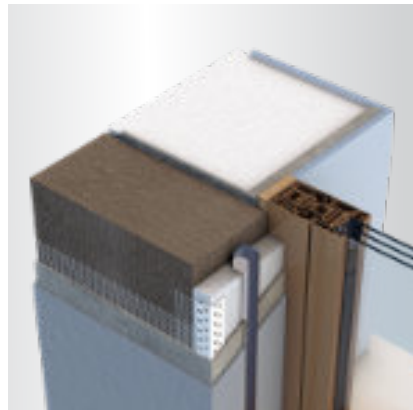
Boxes longer than 3500 mm are assembled from multiple pieces - see Box connection.

INSULATION JAMB

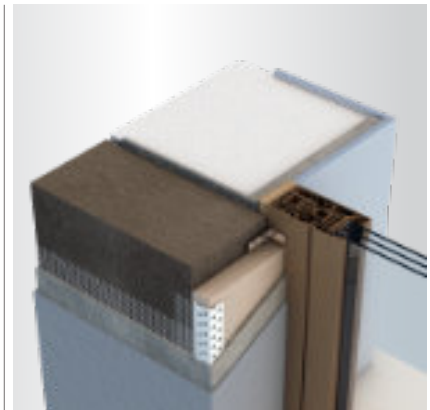
The Purenit or polystyrene surround provides an elegant and effective solution by insulating the jamb and hiding the guide rails. It is popular on construction sites due to its quick and easy installation.



PIO



SIO



PUR

PURENIT INSULATION JAMB

- System solution for the under-plaster versions of guide rails for exterior blinds
- Easy assembly
- Excellent insulation properties

POLYSTYRENE JAMB

- Facilitates and speeds up the installation of under-plaster boxes, while insulating the jamb
- Prefabricated jambs are intended for installation with both Purenit and sheet-metal boxes
- It is made of a stabilised expanded polystyrene thermal-insulation panel with high pressure loading requirements

PURENIT JAMB

- The PUR lining offers easy handling and assembly due to its light weight
- Helps reduce energy losses in the building

THICKNESS of PIR* insulation (for type PBI)	20	30	40	50	60
Thermal resistance RD [(m ² ·K)/W]	0,20	0,35	0,45	0,55	0,70
Thermal transmittance ²⁾ UD [(m ² ·K)/W]	2,94	2,04	1,69	1,45	1,19
Diffusion resistance Sd [m]	0,16	0,24	0,32	0,40	0,48

* PIR = polyisocyanurate foam

STANDARD DIMENSIONS (mm)					
Dimension A		Dimension B		Dimension C	
Min.	Max.	Min.	Max.	Min.	Max.
150	3 200	75	306	65	235

* This is the size of the PIO or SIO insulation reveal without the overhang of the 150 mm housing.



ISOTRA a.s.

Bílovecká 2411/1, 746 01 Opava

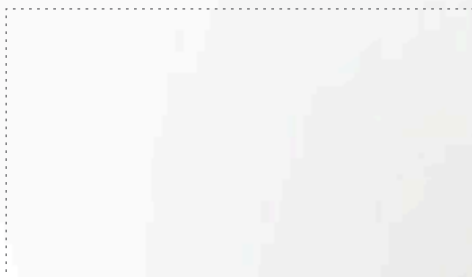
Tel.: **+420 553 685 111**

E-mail: isotra@isotra.cz

www.isotra.cz

Released: 05/2026

ISOTRA Partner:



... protecting your privacy.